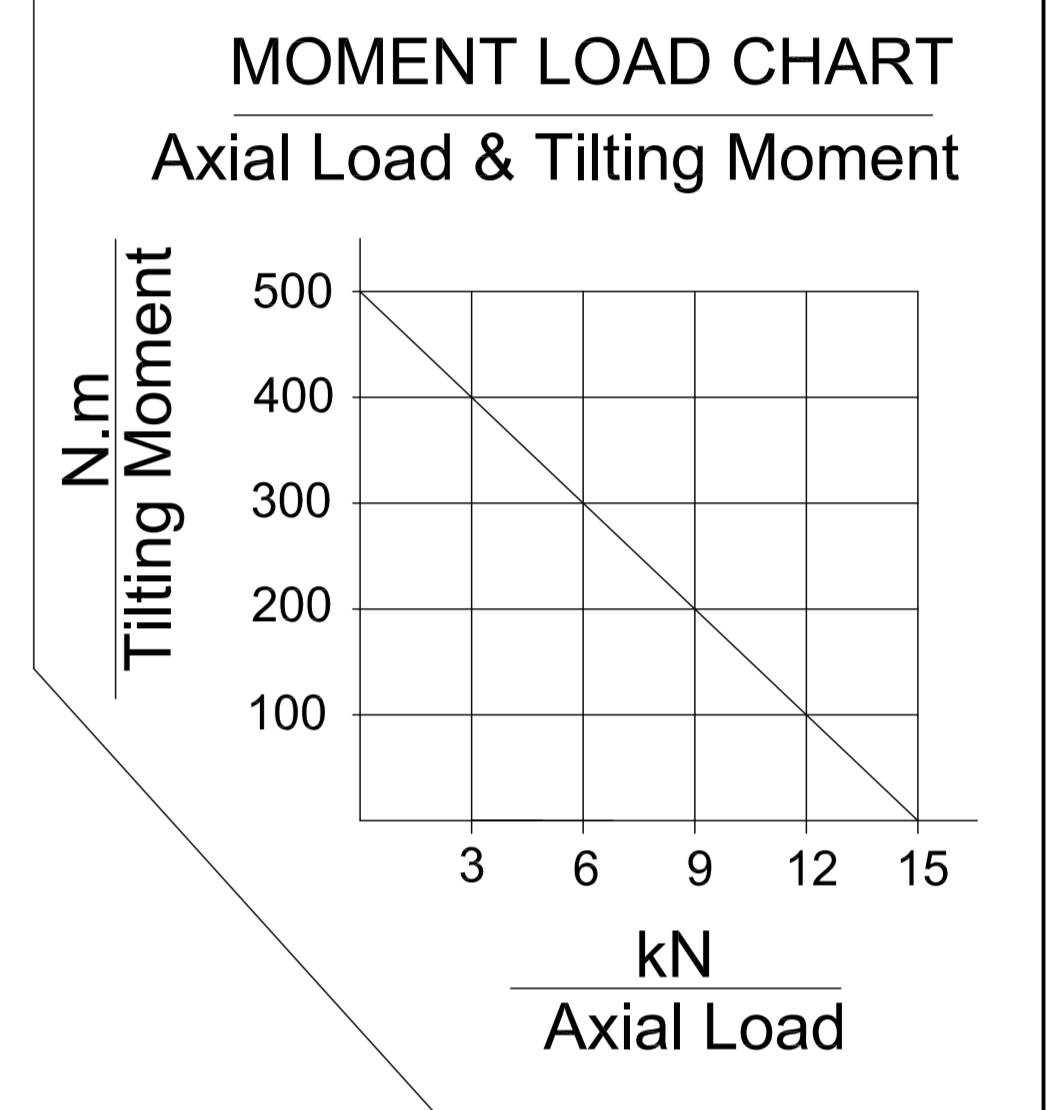
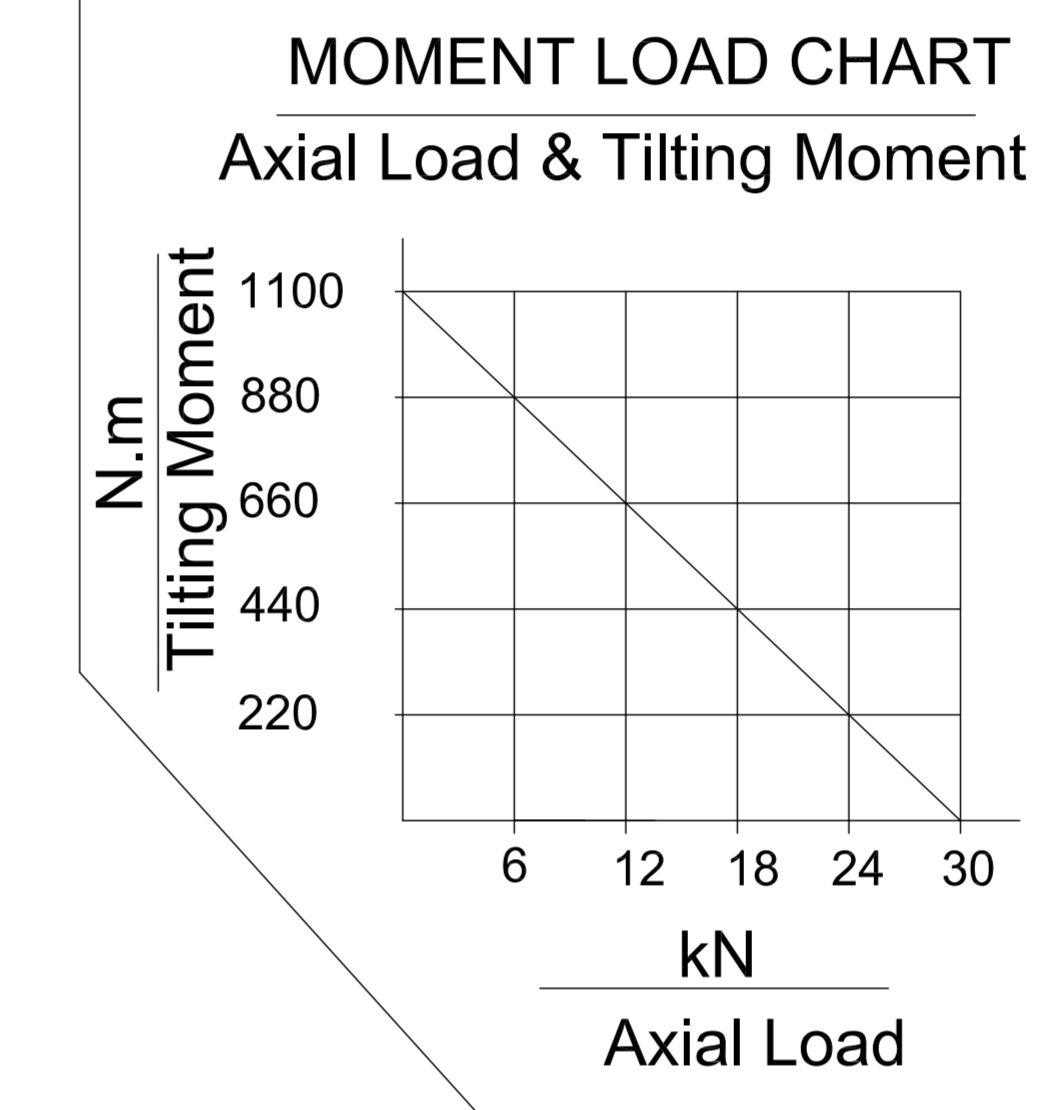
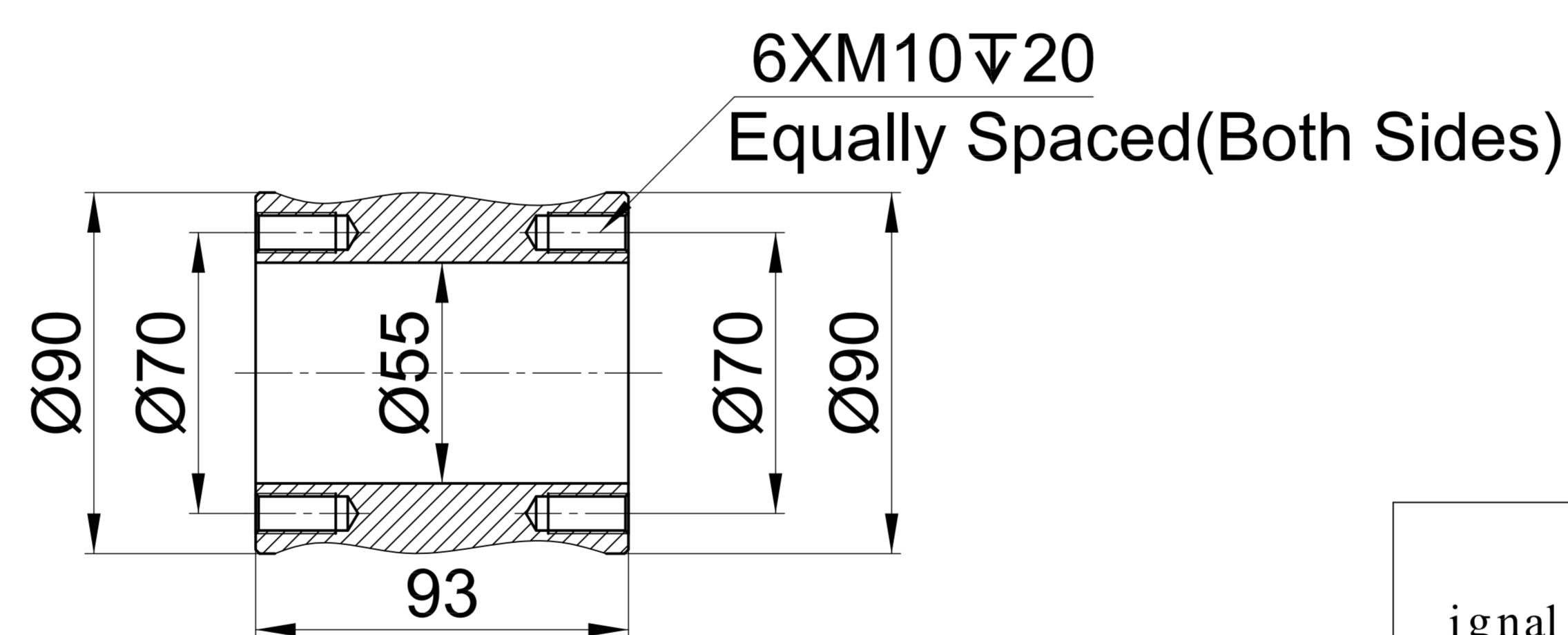


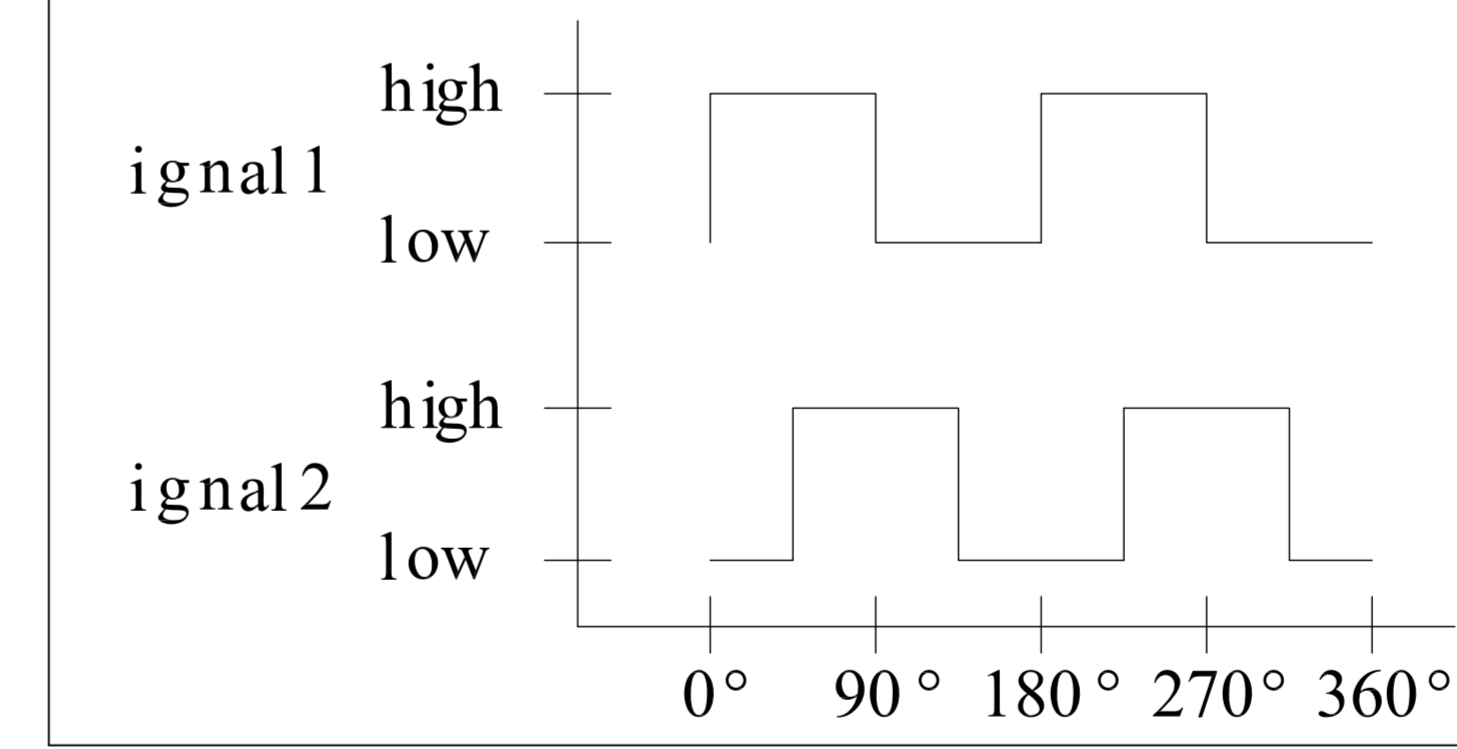
Slewing Drive Performance Parameters(Elevation direction)		Slewing Drive Performance Parameters(Horizontal)	
Rated Output Speed	0,048 rpm	Rated Output Speed	0,048 rpm
Output Torque (Max.)	1116 N.m	Output Torque (Max.)	1116N.m
Tilting Moment (Max.)	1100 N.m	Tilting Moment (Max.)	500 N.m
Holding Torque	2000 N.m	Holding Torque	2000 N.m
Static Axial Load Rating (Max.)	30 kN	Static Axial Load Rating (Max.)	30 kN
Static Radial Load Rating (Max.)	16.6 kN	Static Radial Load Rating (Max.)	15 kN
Gear Ratio	62:1	Gear Ratio	62:1
Precision	≤ 0.2 °	Precision	≤ 0.2 °
24VDC Planetary Reducer Motor Performance Data (24H/30/33)		24VDC Planetary Reducer Motor Performance Data (24H/30/33)	
Rated Voltage	24 VDC	Rated Voltage	24 VDC
Rated Current	<2.5 A	Rated Current	<2.5 A
Gear Ratio	580 : 1	Gear Ratio	580 : 1
Noises	≤60 dB	Noises	≤60 dB
IP Class	IP55	IP Class	IP55
Temperature	-40 - +60°C	Temperature	-40 - +60°C



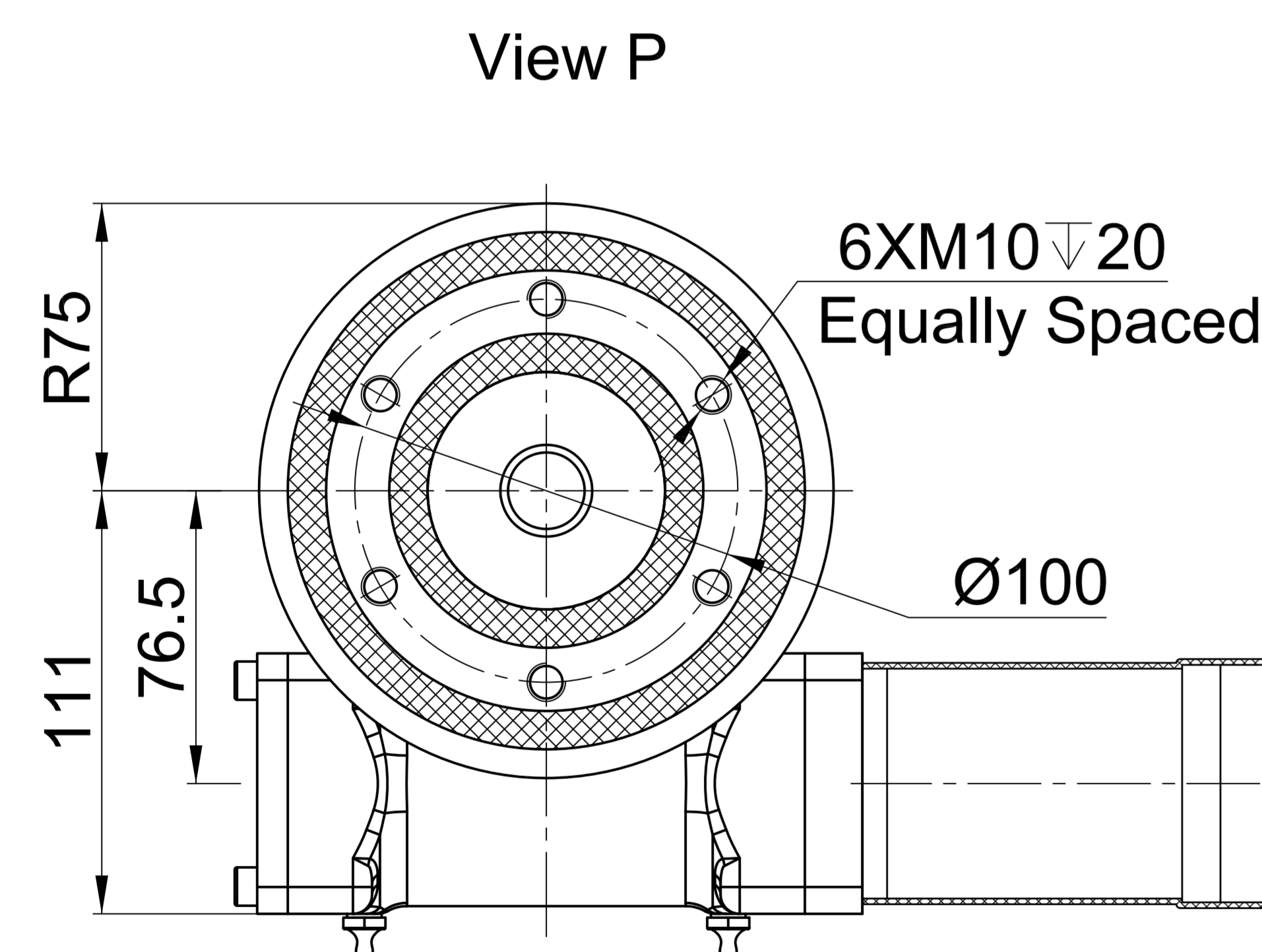
Vertical Mounting Dimensions


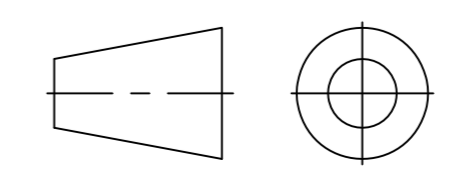


Wire Define:
 Pin 1 (black) motor -
 Pin 2 (red) motor +
 Pin 3 (gray) Hall -
 Pin 4 (brown) Hall +
 Pin 5 (blue) Hall A
 Pin 6 (orange) Hall B
 Pin E (green) GND



MAGNETIC PULSE GENERATOR DATA		
Output type	-	voltage output
pull-up resistor	-	yes
Output signal	-	2 square wave signals
Phase quadrature	-	90°
Impulses per revolution	ppr	2,channels A and B
Operating voltage	VDC	UN=12(5... 24)
Operating current	mA	max. 12 (U=12V)
Deviation of pulse width	-	max. 15 °
Deviation of phase shift	-	max. 15 °
Output voltage(low level)	VDC	max. 0.4 (20mA)
SIGNAL RISE TIME	ns	85
SIGNAL DECAY TIME	ns	60
Operation temperature		-40 ... +85



REV.	Date	Reviser	Description		
Designed By	2016.9.18	QXY	 Jiangyin SunSlew Machinery Equipment Co.,Ltd www.sunslew.com		
Checked By	2016.9.18	HXL			
Approve By	2016.9.18	HW			
The information contained in the document is property of SunSlew. SunSlew reserve changes of manufacture without previous advice and duty of communication. It is not allowable any copy or reproduction of this certificated copy with the original not under control.			WEIGHT	SCALE	<h1>Slewing Drive</h1>
			26kg	1:4	
SYMBOLS ISO			SIZE	A3	<h2>SDD3-62-RC-24H3033</h2>
			SHEET	1/1	
					REV A1